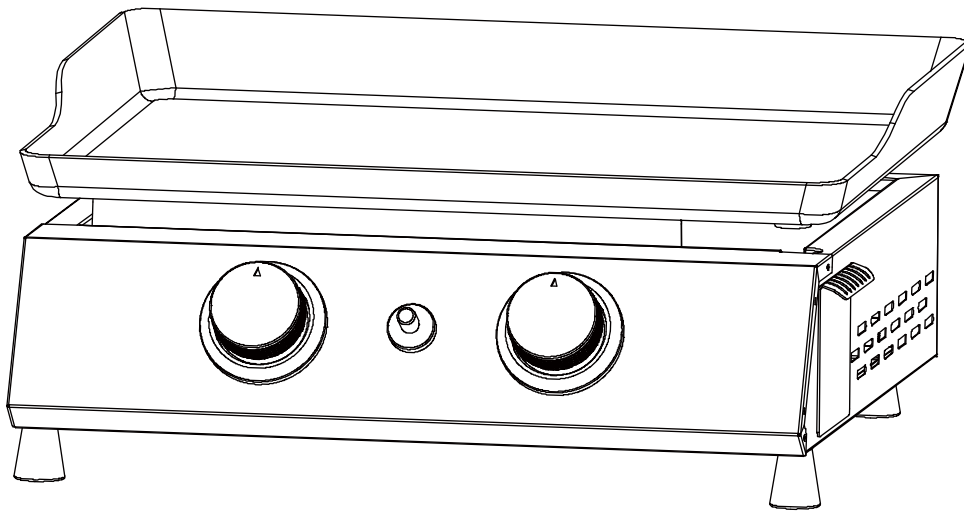


# 2-Burner Portable Gas Griddle

## ASSEMBLY GUIDE



801261



### Customer Service

📞 1-800-618-6798

### FOR YOUR SAFETY!

Use outdoors only! Do not use it inside a building, garage, or any other enclosed space. Read the instructions before assembling and using the appliance. DO NOT use the griddle unless it is completely assembled, and all the parts are securely fastened. This griddle will become very hot, do not move it during use. Keep away from children and pets.

### CONTACT US FIRST!

This griddle has been made to high quality standards. If you have any questions that are not addressed in this Owner's Manual, or you need parts, please call our customer service hotline or send an email to [service@royalgourmetusa.com](mailto:service@royalgourmetusa.com). Please keep this Owner's Manual for future reference.

Learn more at:

[www.royalgourmetcorp.com](http://www.royalgourmetcorp.com)

Before beginning assembly, make sure all parts are present. Compare parts with packaged contents list and diagram above. If any parts are missing or damaged, do not attempt to assemble the products. Contact customer service for replacement parts via telephone or email.



Phillips screwdriver



Wrench

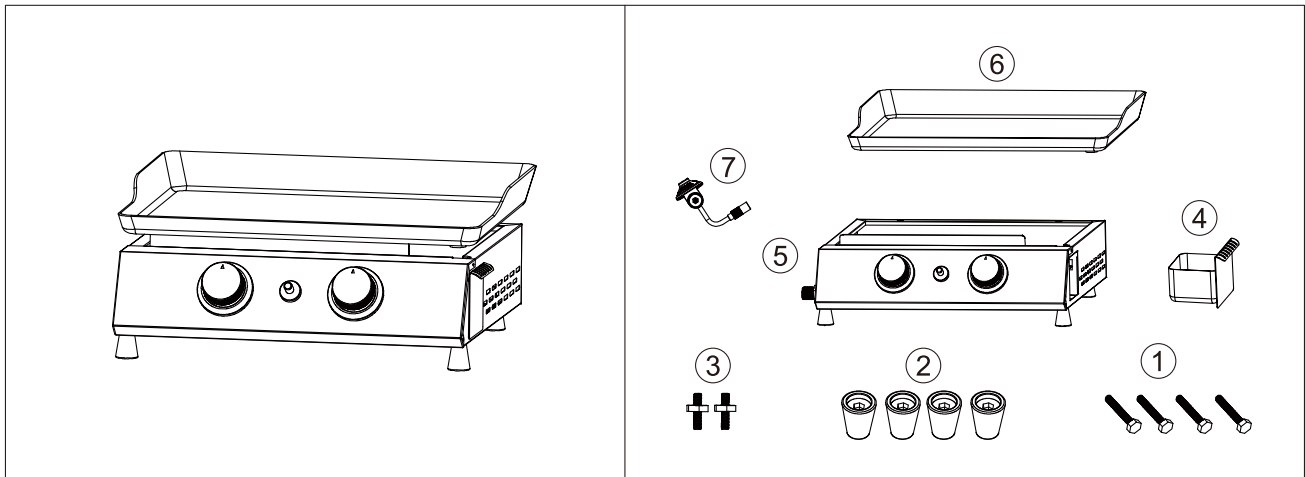
- Estimated assembly time: 10 minutes
- Tools required for assembly:  
Phillips screwdriver (not included) and Wrench (not included)
- Note: The right and left sides of the griddle are designed as if you are facing the front of the griddle.



### **CALIFORNIA PROPOSITION 65 WARNING**

1. Fuels used in gas burning appliances and the combustion byproducts of such fuels, can expose you to chemicals including carbon monoxide, which is known to the State of California to cause birth defects or other reproductive harm.
2. This product contains Nickel (Metallic) known to the State of California to cause cancer.
3. This product contains Lead and Lead Compounds known to the State of California to cause cancer and birth defects or other reproductive harm.

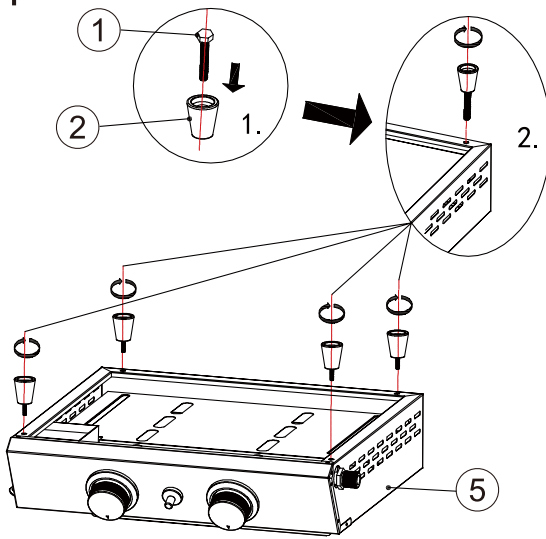
For more information, go to: [www.P65Warnings.ca.gov](http://www.P65Warnings.ca.gov)



Ref	Description	Illustration	QTY
1.	Bolt (M4×30)		4
2.	Leg base JS206		4
3.	Stud with nut		2
4.	Grease cup GHLT5YB		1

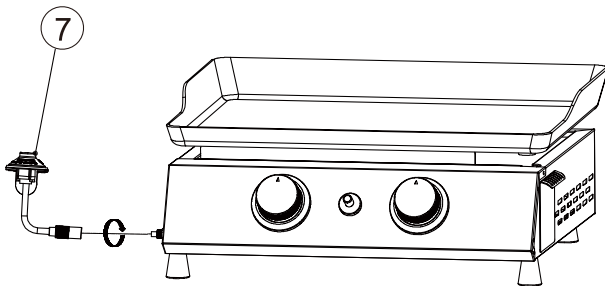
Ref	Description	Illustration	QTY
5.	Main body		1
6.	Cooking griddle GHJP22B-C		1
7.	Regulator W-11020007		1

**Step 1**



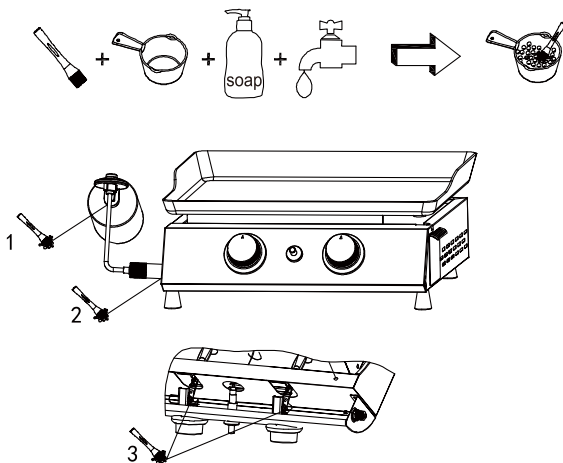
Insert 4 bolts (1) into the leg bases (2), then assemble 4 leg base assemblies to the bottom of the main body (5) by twisting clockwise until tightened.

**Step 3**



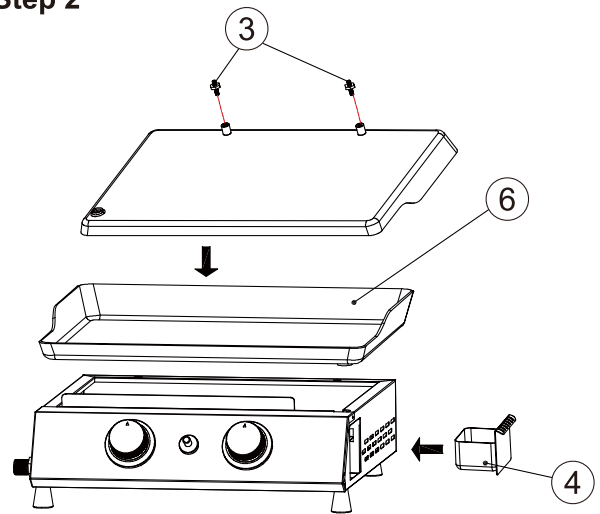
Connect the regulator (7) to the main body.

**Step 5**



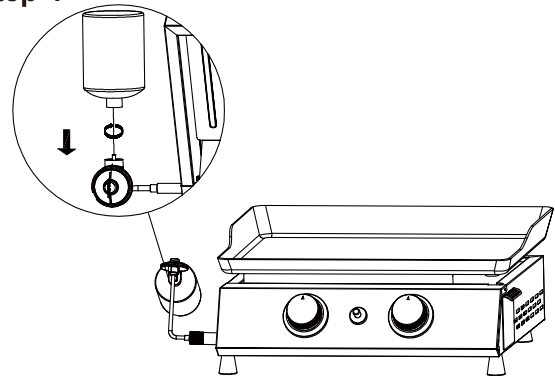
Before use, conduct the LP tank leak test as shown.

**Step 2**



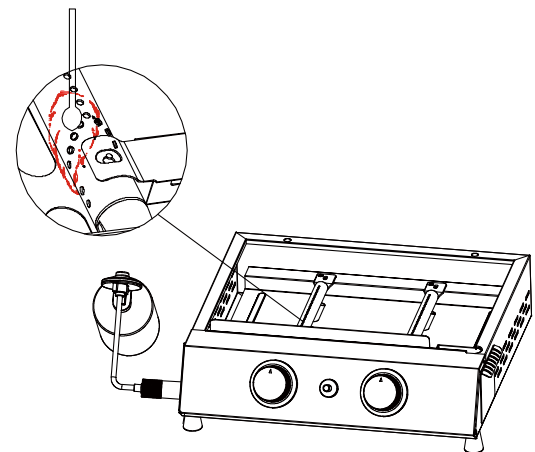
Insert the grease cup (4) to the side of the main body. Screw 2 studs (3) underneath the cooking griddle (6). Adjust the nuts to ensure the flatness of the griddle. It is recommended to leave a few inches of space from each nut to the griddle, as shown in the figure.

**Step 4**



Insert the nipple of the regulator into the 1 lb. LP tank (not included) and hand tighten it by twisting clockwise as shown.

**Step 6**



Consider to manually light the burner with a lit match stick as shown if failing to light the burner with piezo ignition.